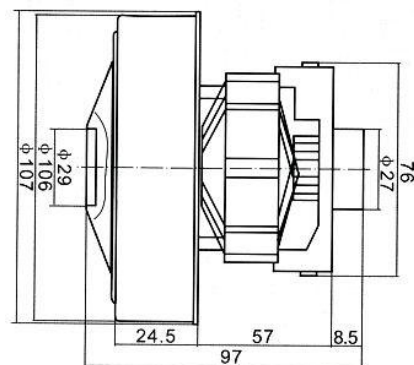
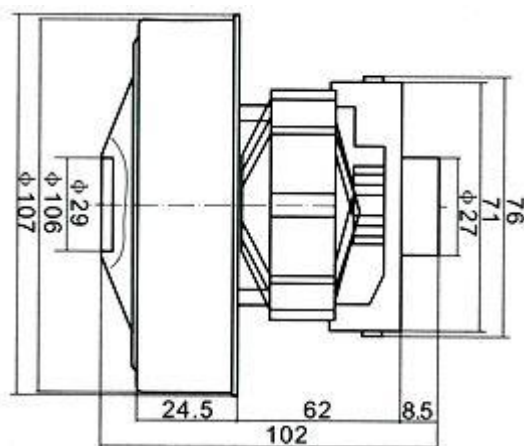


## TW-107107 Vacuum Cleaner Motor

OUTPUT POWER: 400 ~1000 W (APPROX)



Specification	Model	TW-107						TW-107						Tolerance Value
	Voltage(V)	220	230	240	100	110	120	220	230	240	100	110	120	/
	Frequency(Hz)	50/60						50/60						/
	Input (W)	400						600						±10%
	Max Vacuum Degree(KPa)	16						17.5						-5%
	Max Air Quantity(m3/min)	1.6						1.8						-8%
	Temp.Rise(K)	<75						<75						/
	Noisy(dB)	90						92						/
	Sparkle Grade	<2 Level						<2 Level						/
	Insulation Grade	B						B						/
	Max Eff.(%)	36.5						36.5						-10%



Specification	Model	TW-107						Tolerance Value
	Voltage(V)	220	230	240	100	110	120	/
	Frequency(Hz)	50/60						/
	Input (W)	800						±10%
	Max Vacuum Degree(KPa)	18.5						-5%
	Max Air Quantity(m3/min)	2.4						-8%
	Temp.Rise(K)	<75						/
	Noisy(dB)	92						/
	Sparkle Grade	<2 Level						/
	Insulation Grade	B						/
	Max Eff.(%)	36.5						-10%