

TEAMWORK GLOBAL GROUP LIMITED

电机确认书 MOTOR APPROVAL SHEET



客户物料编号:
CUSTOMER CODE NO :

产品名称:
MACHINE NAME:

产品型号:
MACHINE TYPE:

电机型号:
MOTOR TYPE:

7035M23-EMC-F(铜线)

电压/频率:
VOLT/FREQ:

220-240V/AC 50/60Hz

版本:
VERSION:

A/0

日期:
DATE

2019.08.08.

制表:
DESIGNED BY:

审核:
CHECKED
BY:

批准:
APPROVED BY:

客户确认签名:
CUSTOMER APPROVED SIGNATURES

此为样品数据，正式规格在试产后双方才进行确认。

This is sample data, formal specifications are confirmed by both parties after the EB trial

1 OF 3 Page

SHENZHEN BAOAN DISTRICT SONGGANG STREET GOLD OPEN 11 EAST MATTERS B24B BUILDING

Tel:0086-0755-85265699

Fax:0086-0755-85266599

第1页

TEAMWORK GLOBAL GROUP LIMITED

SHENZHEN BAOAN DISTRICT SONGGANG STREET GOLD OPEN 11 EAST MATTERS B24B BUILDING

Tel:0086-0755-85265699

Fax:0086-0755-85266599

电机性能测试报告 Performance test report

第2页

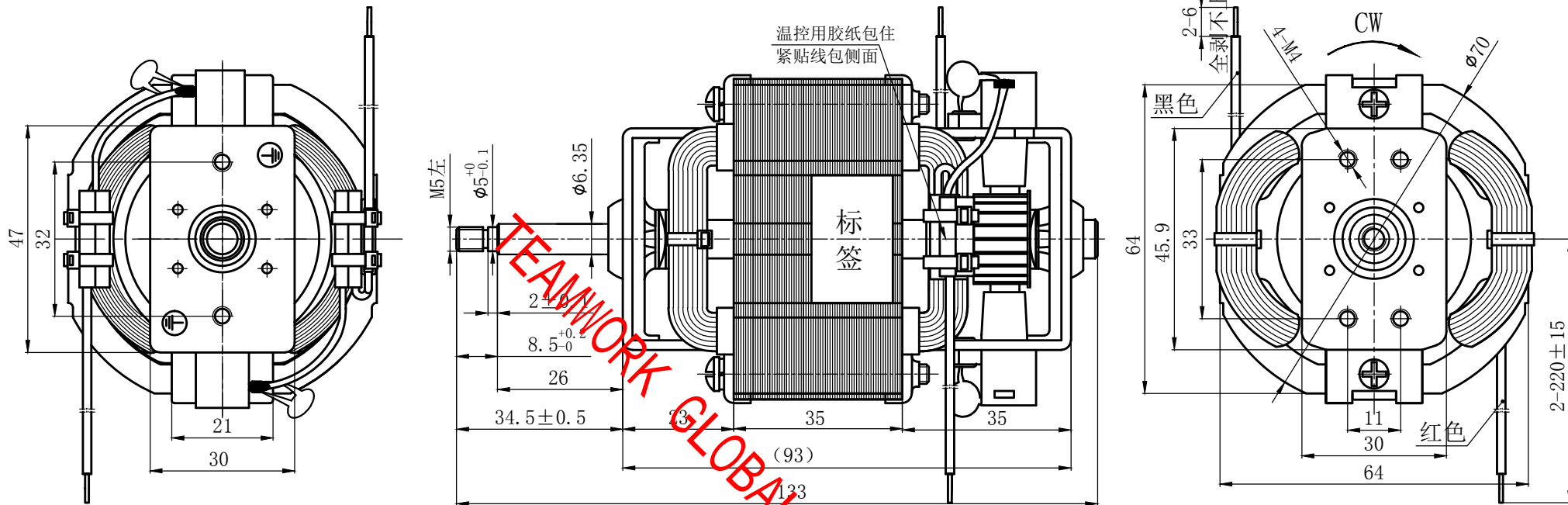
电机型号 Motor Model:		7035M23-EMC-F(铜线)		额定电压 / 频率 rated Voltage/Frequency		230VAC 50Hz		项目编号 Item No.		咖啡磨豆机				
序号	检测项目 Item		标准 Standard	测试结果 Results										
				1	2	3	4	5	6	7	8	9	10	
1	电气特性 Electric characteristics	空载 Free load	电流 Current	0.358±15%(A)	0.348	0.353	0.354	0.356	0.356	0.358	0.373	0.348	0.355	0.359
2			功率Power	82±15%(W)	80	81	81	82	82	82	86	80	82	83
3			转速Speed	22900±15%(rpm)	22500	23100	22500	22400	24000	23000	22400	22600	22000	23600
4			火花Spark	≤1.5 (class)	√	√	√	√	√	√	√	√	√	√
5		负载 On load	负载风叶 Fan onload	37.5x90(A5)	√	√	√	√	√	√	√	√	√	√
6			电流 Current	1.16±10%(A)	1.146	1.165	1.153	1.17	1.216	1.153	1.159	1.137	1.177	1.156
7			功率Power	255±10%(W)	250	255	252	256	268	250	258	250	253	252
8			转速Speed	10200±10%(rpm)	10200	10300	10200	10200	10400	10200	10300	10200	10100	10200
9			火花Spark	≤1.5 (class)	√	√	√	√	√	√	√	√	√	√
10	机械特性 Machine characteristics	转向 Rotation	• CW	√	√	√	√	√	√	√	√	√	√	
11		轴伸 Extension	34.5±0.5 (M左x65)	√	√	√	√	√	√	√	√	√	√	
12		虚位 End play	0.5~1.3mm	√	√	√	√	√	√	√	√	√	√	
13		噪音 Noise	≤90 (dB-1000mm)	√	√	√	√	√	√	√	√	√	√	
14		振动 Vibration	≤20 (mm/s)	√	√	√	√	√	√	√	√	√	√	
15	安全性 Safe	高压测试 Hi-pot test	1500VDC / 5mA / 1SEC	√	√	√	√	√	√	√	√	√	√	
16		绝缘电阻 Insulation resistance	冷态Cold Conditions≥50 (MΩ) 热态Hot Conditions≥5 (MΩ)	√	√	√	√	√	√	√	√	√	√	
17		绝缘等级 Insulation Class	F	√	√	√	√	√	√	√	√	√	√	

制表DESIGNED BY :

审核CHECKED BY:

批准 APPROVED BY:

电源线: E204893 22AWG 1015# 105°C 可复位温度保护器: KW-105°C 5A 250V (金属壳)



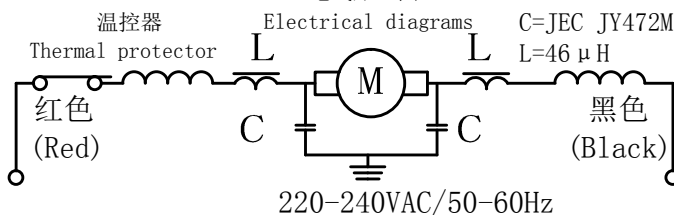
电机外观要求: Motor Appearance requirement:

- 1、电机轴表面光亮、无损伤、无锈迹。
Motor shaft surface brightness, no scratch & rust"
- 2、螺丝紧固、不松动, 松脱扭力 $\geq 5\text{Kgf} \cdot \text{cm}$, 碳套不松动, 安装螺孔标准。
Screw tighten, unfasten torque $\geq 5\text{Kgf} \cdot \text{cm}$; No loosen brush cage"
- 3、引线拉脱力 $\geq 3\text{Kg}$ 。
Leadwire pull-out force $\geq 3\text{Kg}$ "
- 4、尼龙扎带绑扎牢固, 温控器与线圈贴合紧密。
Nylon cable ties fastened, Thermal protector fit tight with winding"
- 5、定子线圈包扎紧固, 浸漆均匀, 无漆瘤。
Stator winding tighted, Insulation varnish evenly distributed."
- 6、电机外观良好, 铁芯无锈斑、伤痕、残缺; 无变形。
Motor Appearance good, no rust, scratch and deformation allowed."
- 7、接地符号标识清楚, 电机印章或铭牌字体工整、清晰。
The Grounding mark clearly, motor label clearly"

标签内容 (label)

HC7035M23
220-240VAC/50-60Hz
CLASS: F
2019-XX-XX

电气原理图



2		一般尺寸公差 X ± 0.2 X.X ± 0.1 X.XX ± 0.05 角度 $\pm 20'$ 圆角和倒角0.5	TEAMWORK GLOBAL GROUP LIMITED
1			品名: 7035M23-F级-EMC-
CHG	DESCRIPTION		咖啡磨豆机电机外形图
修改	说明		品号:
DRAWN		MATERIAL	
绘制			
CHECKED			
校对		SCALE A4	UNIT mm
APPROVED		SIZE A4	页次: 3
批准			版本: A/0